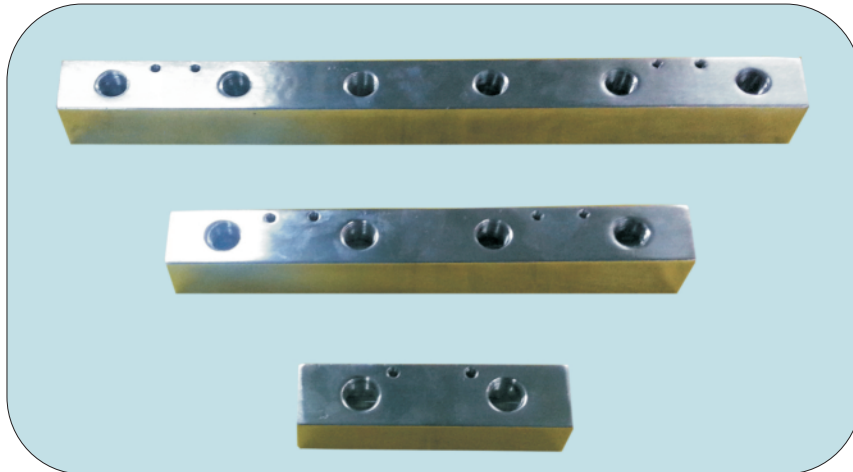


**Nex Flow™ - MANIFOLD SYSTEM FOR NOZZLES & JETS**



**MANIFOLDS FOR MOUNTING OF MULTIPLE NOZZLES, OR AIR JETS & FLAT JETS/AIR EDGERS™.**

**Easy to assemble and mount for use with Nex Flow™ blow-off nozzles, jets and Air Edger™ flat jets for blow of various lengths**



**WHAT THEY ARE – REASONS TO USE**

**Nex Flow™ Manifolds** are a convenient way to mount rows of multiple nozzles, air jets and other small blow off products to dry, clean or cool wider surfaces. Come complete with mounting holes. All **Manifolds** are available with air inlet connections at the ends and rear. For smaller air flows, you may use one end connection or rear connection. For larger flows, you need to utilize the two end connections.

Two basic **Manifold** sizes are available with three versions for each: Two (2) outlet unit, Four (4) outlet unit and Six (6) outlet unit. There is the Standard Flow Size and for high flows, the High Flow Size for each version. A flow guide is provided for each version and size.

Manifolds may be held in place with the compressed air piping™ or by using the mounting holes on the units.

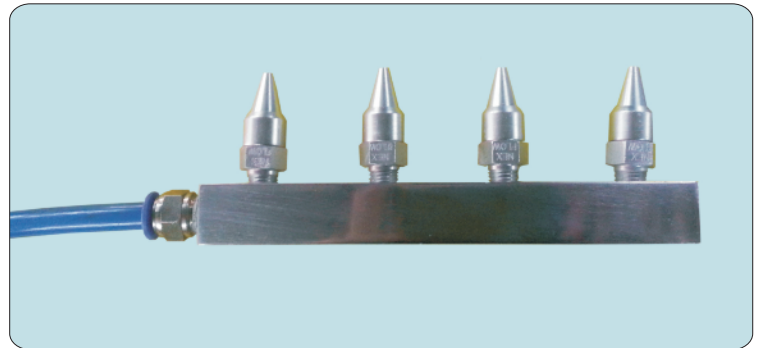
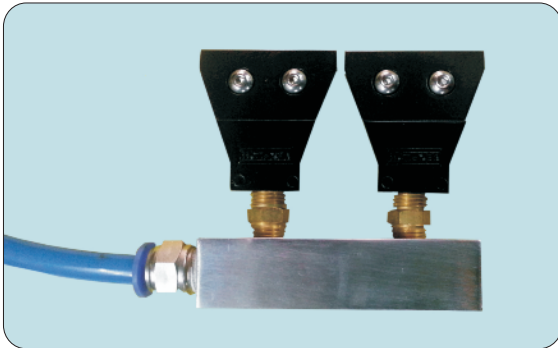
**MANIFOLD SYSTEM FEATURES**

- Comes in three sizes
- Easy to use and install
- Flexible in use – multiple air inlets

**MANIFOLD SYSTEM BENEFITS**

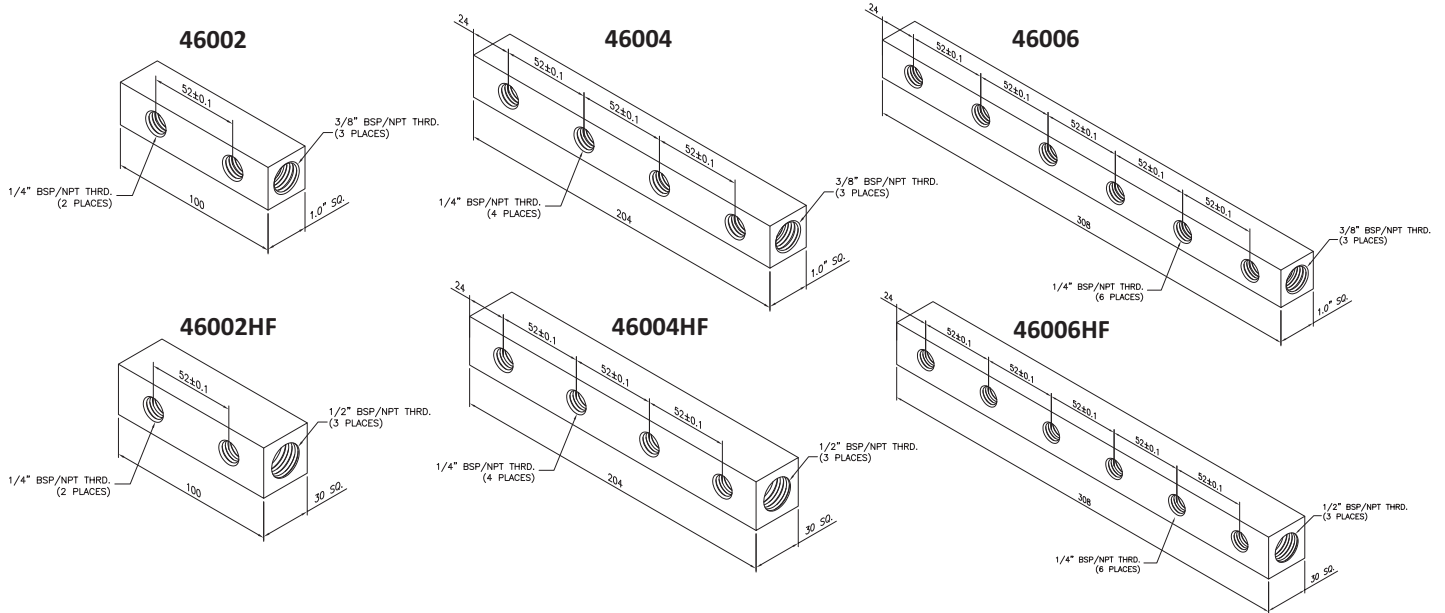
- Allows to easily apply nozzles, jets or other blow off products in rows
- Saves time in installation

**Nex Flow™ - MANIFOLD SYSTEM FOR NOZZLES & JETS**



**MANIFOLD SYSTEM - HOW IT WORKS**

Nex Flow™ Manifolds come with two (2), four (4) or six (6) – ¼” outlets. You can use any combination of nozzles, air jets or Air Edgers™ to make a row of blow off product. Easy to mount with compressed air piping or by using the mounting holes supplied.



PART NO.	DESCRIPTION
46002	Two outlet Aluminum Anodized Manifold - total flow to 80 SCFM @ 80 PSIG
46004	Four outlet Aluminum Anodized Manifold - total flow to 140 SCFM @ 80 PSIG
46006	Six outlet Aluminum Anodized Manifold - total flow to 220 SCFM @ 80 PSIG
46002HF	Two outlet Aluminum Anodized Manifold - total flow to 120 SCFM @ 80 PSIG
46004HF	Four outlet Aluminum Anodized Manifold - total flow to 210 SCFM @ 80 PSIG
46006HF	Six outlet Aluminum Anodized Manifold - total flow to 320 SCFM @ 80 PSIG

**NOTE:** Using one air inlet allows for 50% of rated flow – using both end air inlets allows for up to 100% of rated flow.